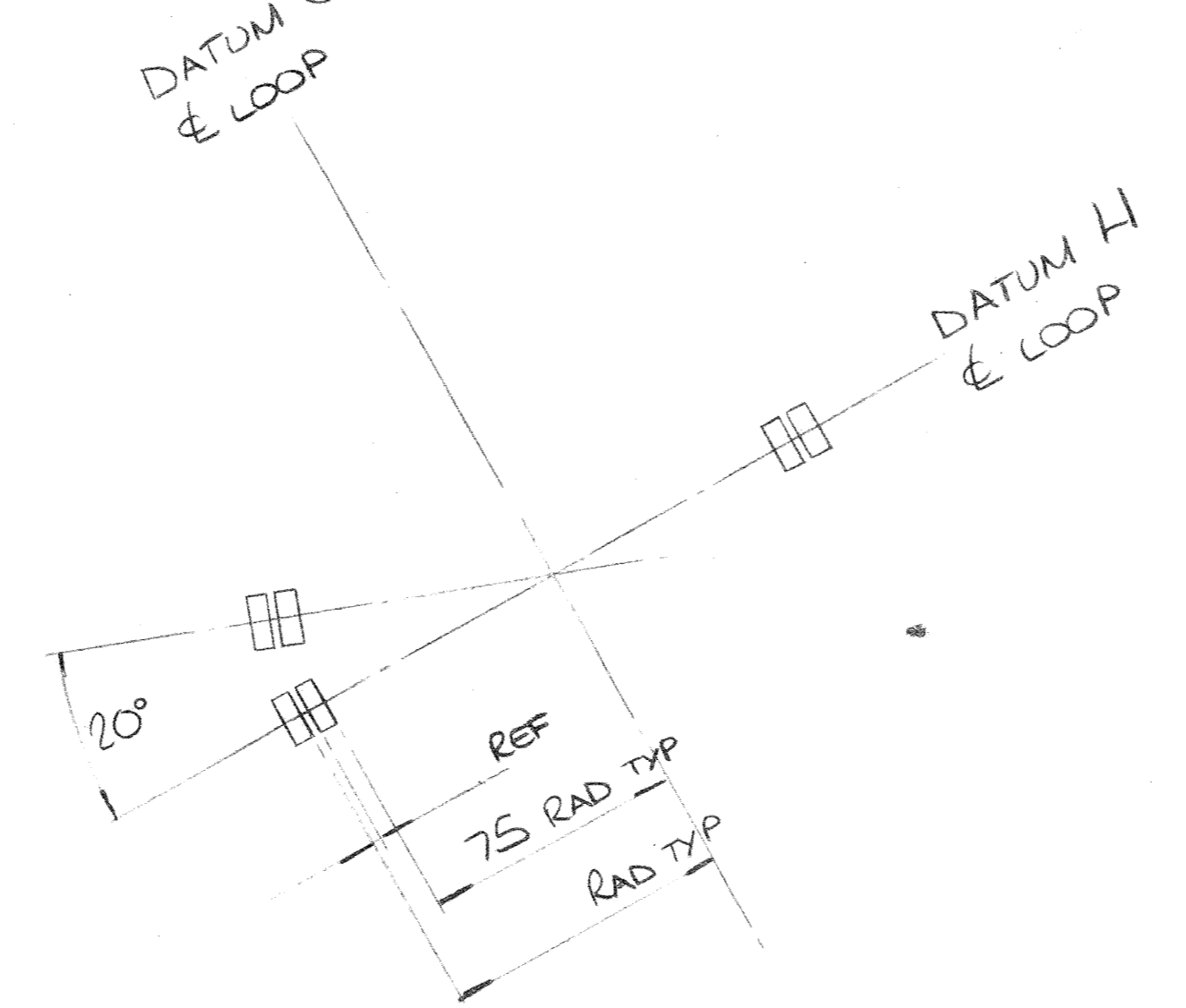
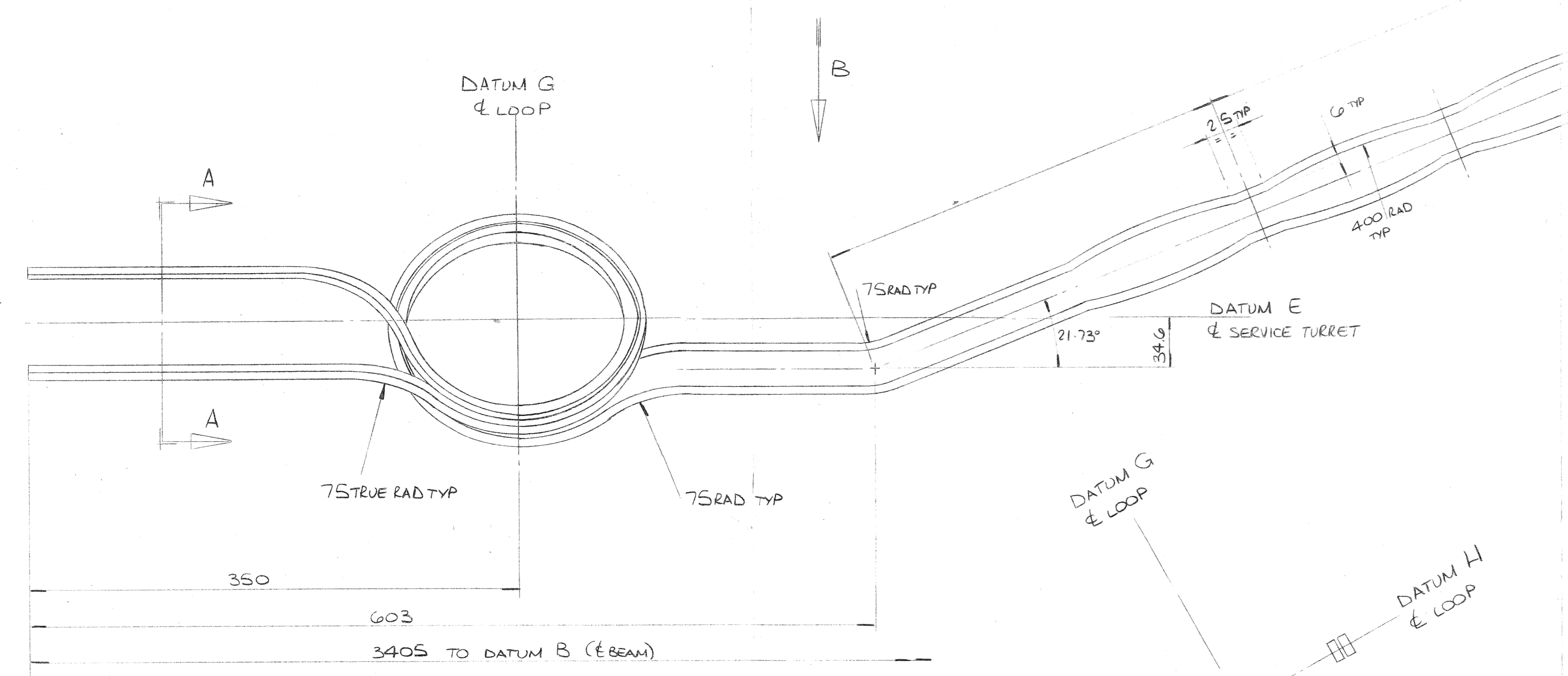
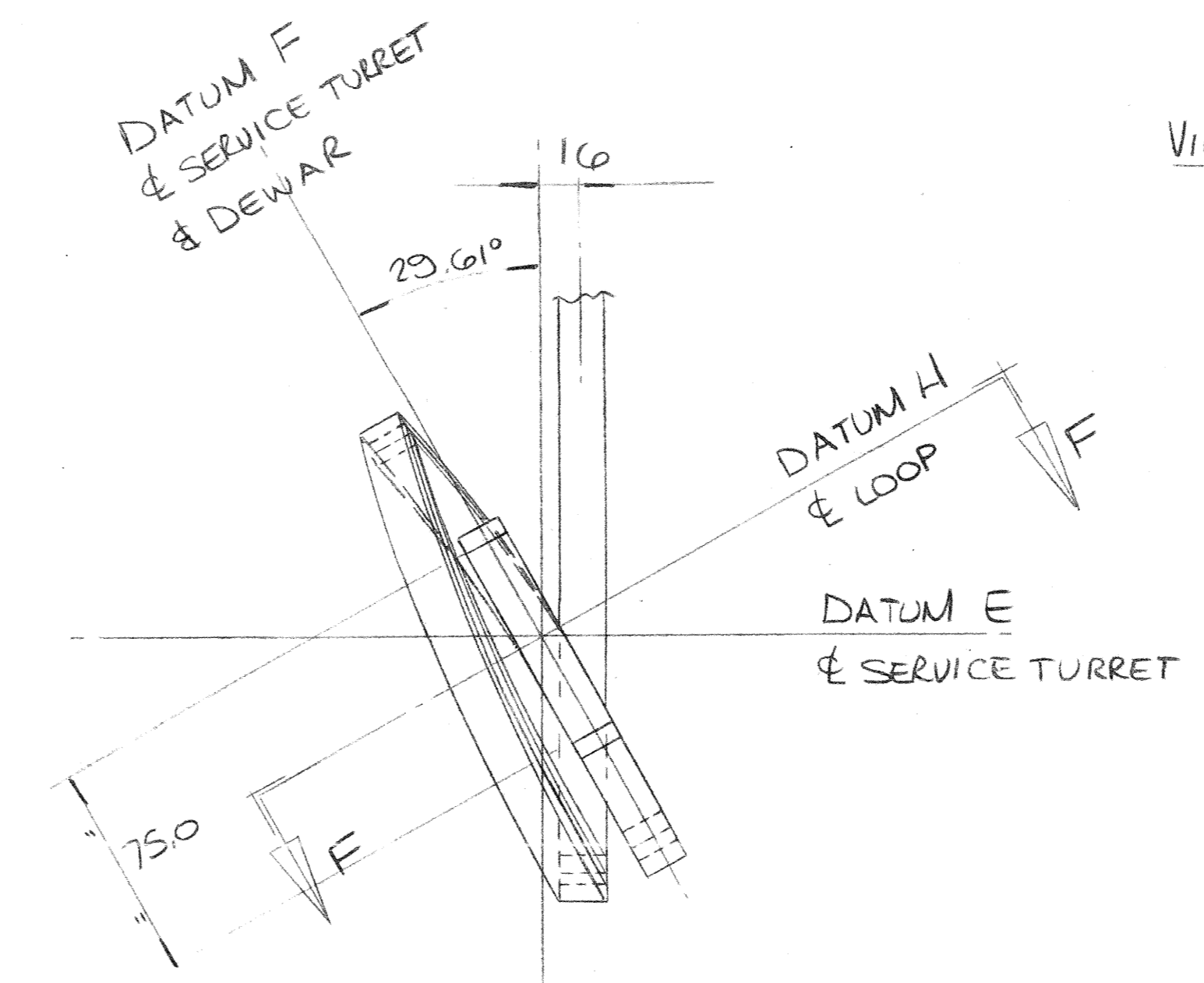


VIEW ON ARROW 'B'
SCALE 1:2

VIEW ON ARROW 'D'
SCALE 1:2

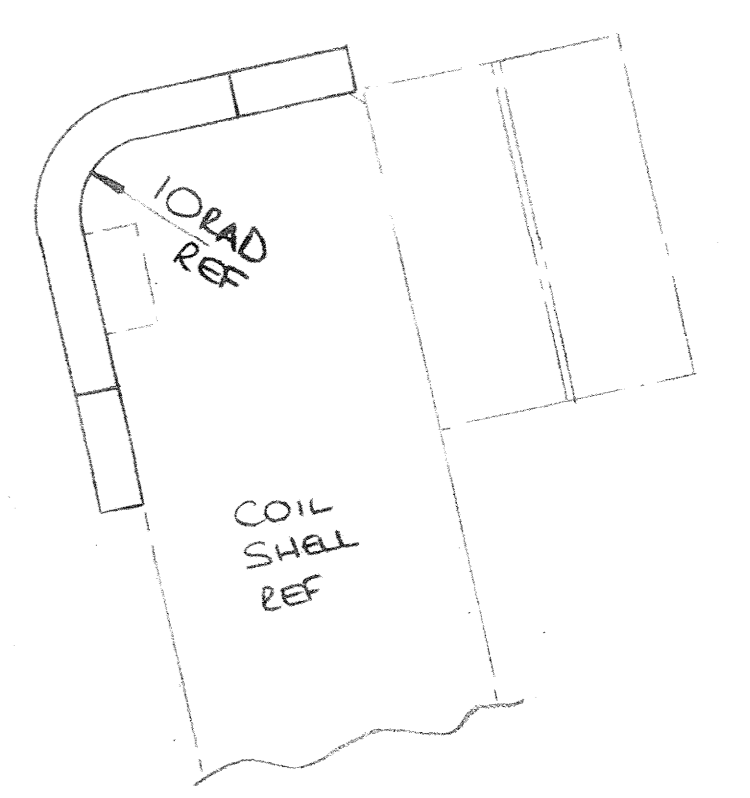


SECTION FF
SCALE 1:2



SECTION AA
SCALE 1:2

VIEW ON ARROW 'E'
SCALE 1:2



SECTION CC
SCALE FULL

ISSUE	DATE	CHANGE NO.	ISSUE	DATE	CHANGE NO.	ISSUE	DATE	CHANGE NO.
B	20/08/00	001						
A	4/3/00	000						

TOLERANCES			TITLE	
METRIC	IMPERIAL		NECK ASSY SUPERCONDUCTOR	
X ± 0.5	XX ± 0.015			
XX ± 0.3	XXX ± 0.010			
XXX ± 0.1	XXXX ± 0.005			
DRN	CHKD	APPD	DIMENSIONS IN	THIS DRAWING BELONGS TO OXFORD INSTRUMENTS LIMITED AND IS ISSUED ON CONDITION THAT IT IS NOT COPIED, REPRODUCED OR DISCLOSED EITHER IN WHOLE OR IN PART TO A THIRD PARTY WITHOUT THE CONSENT IN WRITING OF OXFORD INSTRUMENTS LIMITED.
DATE	DATE	DATE	mm	
SCALE			1:2 & FULL	

OXFORD
Oxford Instruments Limited
Sney Mead
Oxford OX2 0DU
England

DRAWING NUMBER
AJE 0155
SHEET 1 OF 1